

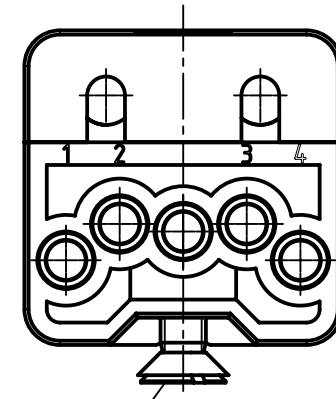
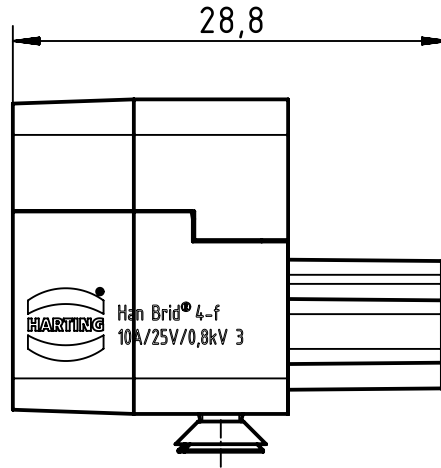
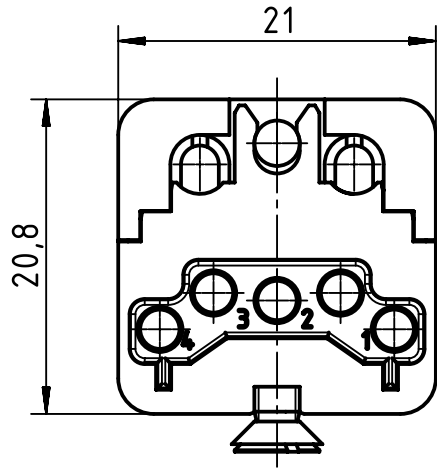
1 2 3 4 5 6

A

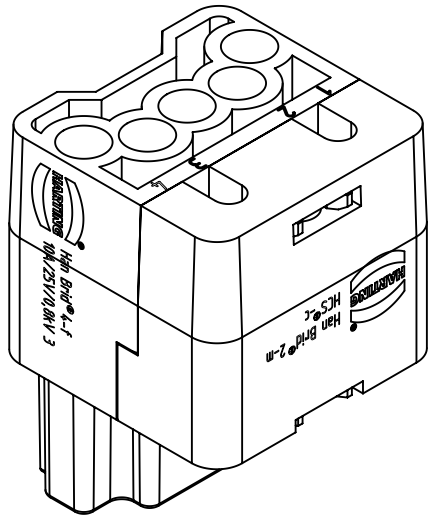
B

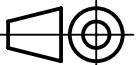

C

D



countersunk screw M3x6
enclosed separately



 All Dimensions in mm Original Size DIN A4	Scale	Free size tol.		Ref.	
	2:1			Sub.	
 All rights reserved Department EL PD	Created by	Inspected by	Standardisation	Date	State
	SPRENB	BERGHORN	GARSKE	2019-01-23	Final Release
HARTING Electric GmbH & Co. KG D-32339 Espelkamp	Title			Doc-Key / ECM-Nr.	
	Han 4Brid-F-c + 2LWL-M-HCS-Halt.-c (K)			100205817/UGD/004/C 500000145807	
Type		Number		Rev.	Page
TB		09 12 004 3116		C	1/1